

# WINDOW EDITION

08550/ART  
BuyLine 9635

MANUFACTURERS OF CUSTOM ARCHITECTURAL  
HARDWOOD DOORS & WINDOWS



HURRICANE RATED WINDOWS



**ARTISTIC**  
*Doors and Windows, Inc.*

## INTRODUCTION & DETAILS

As a member of the Architectural Woodworking Institute (AWI) we, at Artistic Doors and Windows, know woodworking!

Following are just some of the many reasons:

- We have over 35 years experience in the design and manufacture of the finest custom hardwood doors and windows
- Our understanding of both the current market and our craft provides our customers with the highest quality product at a competitive price.
- We use only the finest quality materials to insure durability and longevity.
- We pay meticulous attention to detail – even where you can't see it.
- Our products are made with pride here in America. We maintain a 40,000 square foot manufacturing facility with state-of-the-art machinery.
- Our facility is stocked with thousands of board feet of select hardwoods which enables us to fabricate without delay.
- Our professional design staff provides detailed shop drawings for large and small projects alike, with an emphasis on educating our customers.
- We custom manufacture doors and windows of all types, sizes, shapes and functions.
- We have extensive experience with Landmarks and government standards.

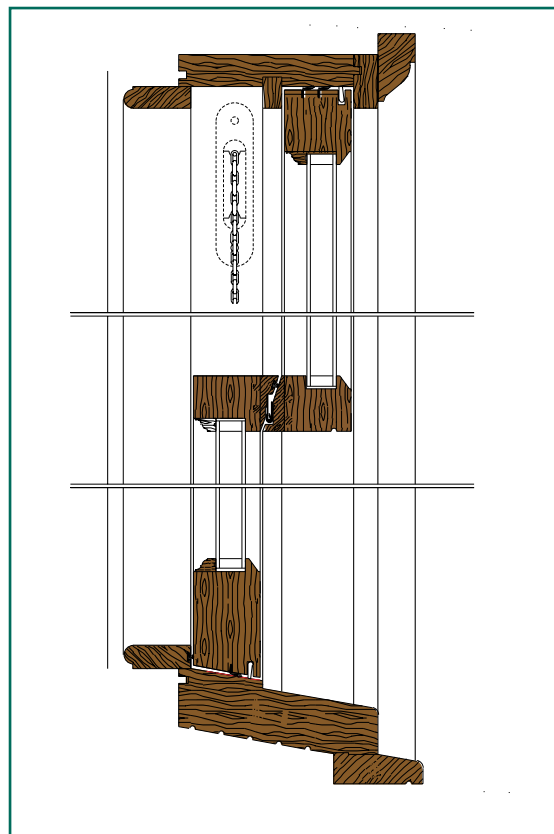
*“Wherever technology reaches its real fulfillment, it transcends into architecture. It is true that architecture depends on facts, but its real field of activity is in the realm of significance.”*

*Ludwig Mies van der Rohe  
1950. Address to the Illinois Institute of Technology*

## HUNG WINDOWS (SINGLE, DOUBLE, TRIPLE)



Single Hung Windows allow for maximum sunlight with controlled through access. Double Hung Windows keep fresh air coming and going with circulation from top and bottom. Or bring the outside in with an Artistic Triple Hung.



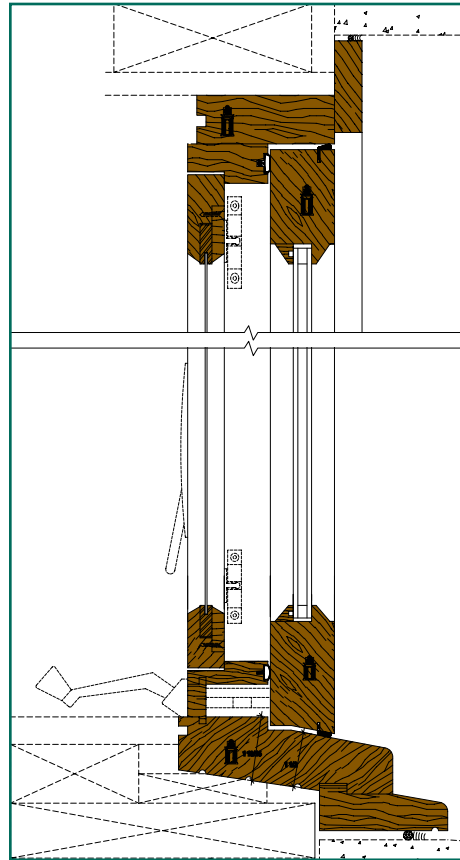
## CASEMENT WINDOW (AMERICAN: SWING OUT)



All our doors and windows are made in America with pride-but what makes this traditional casement window specifically "American"?

The redesign of a European classic that provides ease of operation with a crank handle at the base and a tandem sash lock for smooth locking Functionality.

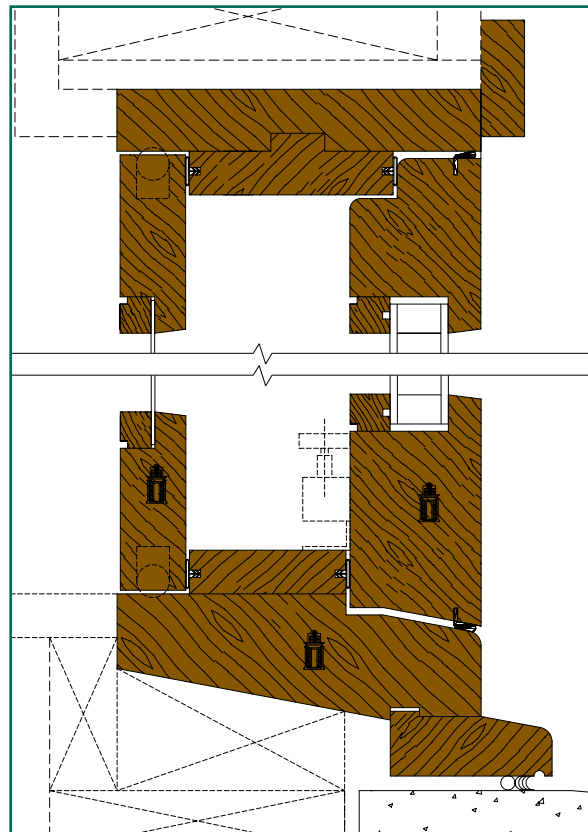
European Style with American Ingenuity!



## CASEMENT WINDOWS (EUROPEAN: SWING IN OR SWING OUT)



This traditional, elegant, European casement window can be designed to open in (a true French Casement) or open out (a twist on the classic design)

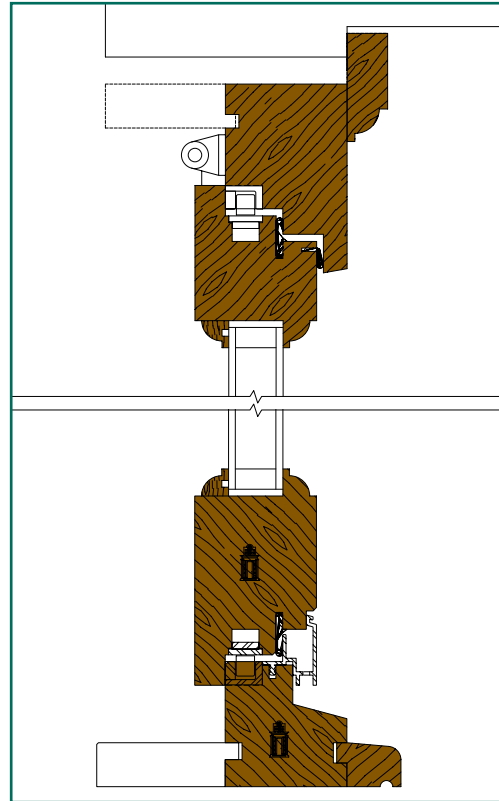


## TILT & TURN



Circulate. Ventilate. Tilt to let in cooling currents of air while keeping out the windy gusts. Turn to keep it clean. And the hidden secret: Lock to stay safe, even when open.

With Artistic's Tilt & Turn windows, the ventilation line remains rigorously symmetrical - no distraction, whatsoever the elevation. A great way to ventilate a room.



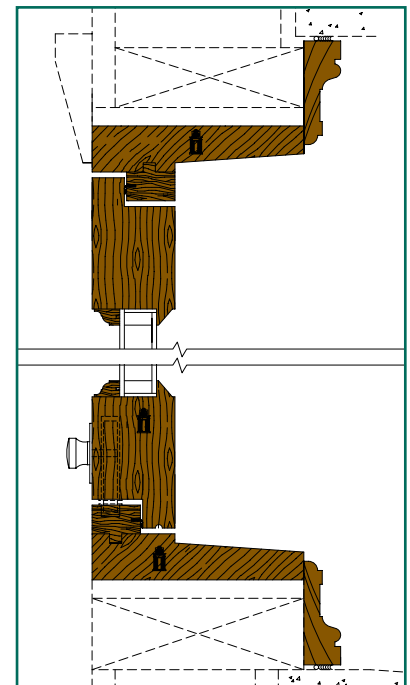
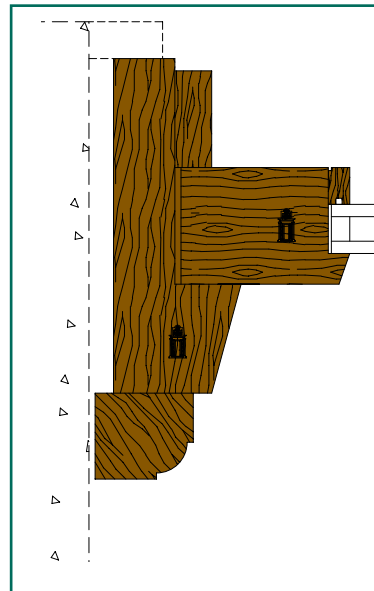
## SHAPES / PIVOT



Bent glass (bow) windows made to your specifications... True eyebrows - even operable ones... Fan Lite... Classical diamond... Oval with muntins... Round tops... Arch tops... And any geometric shapes... Come on, throw us some curves!

Pivot full circle for that classical style. But don't come unhinged - this window stays centered with its hinge in the middle. Horizontal or vertical, your choice.

Shape up with decorative windows. We may be Artistic Doors and Windows, but you're the artist. If you can imagine it, we can manufacture it! Any shape, type or size. Fixed or operable.

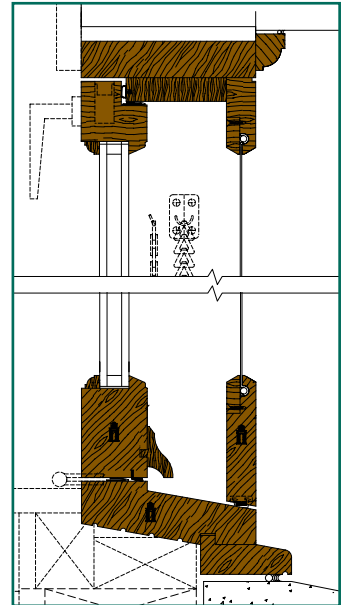
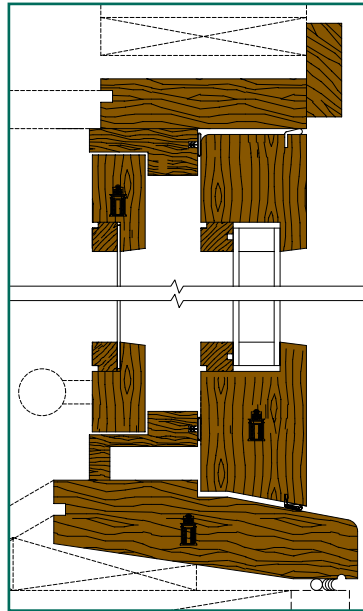


## AWNINGS & HOPPERS



Love the sound and fresh smell of the rain? Artistic's Awning windows protect while providing adequate ventilation.

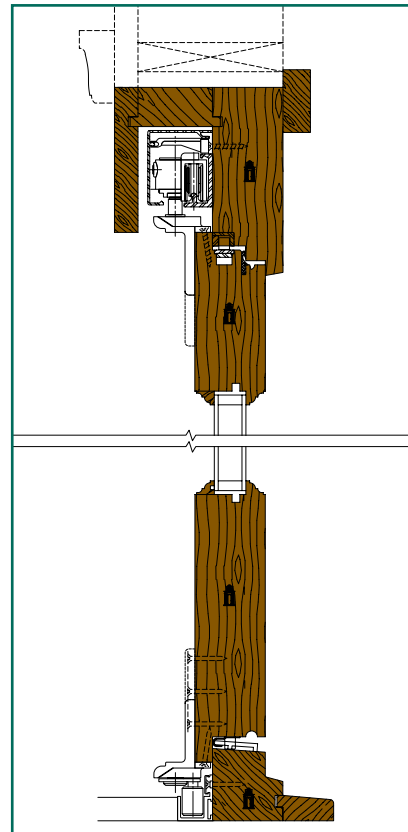
Hate hot stifling air at the ceiling? Open up an Artistic Hopper window to circulate the good for the bad.



## FOLDING DOORS



As a beautiful day unfolds... fold open the doors. Smoothly. With ease. Turn the indoors into outdoors as your need for space expands. Turn small rooms into one large area. From three panels all the way to - panels. You fill in the blank spaces and design a wall that conceals or reveals.



## LIFT & SLIDE DOORS

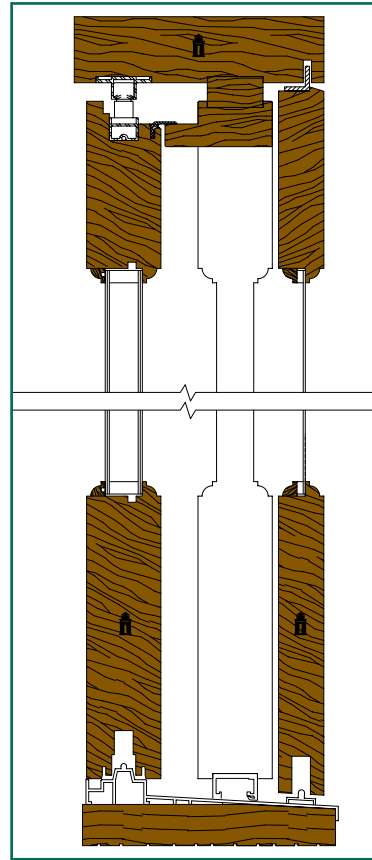


Lift and slide, then vanish into a pocket in the wall! Not a new line dance or magic act, but just as smooth. An opening to the world beyond doorways. Lift and slide to open your door - or an entire wall - to the outdoors, without doors.

Artistic's custom Lift & Slide doors are precision engineered for:

- Zero infiltration!
- Smooth operation!
- Security!

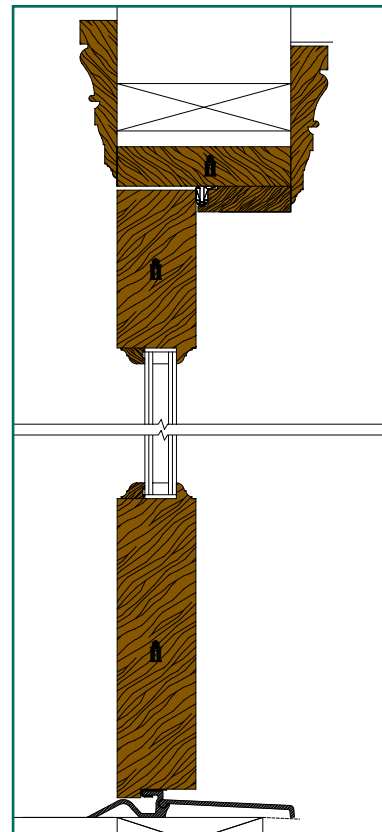
Challenge us to create a vanishing enclosure for you!



## FRENCH DOORS (SINGLE OR DOUBLE)



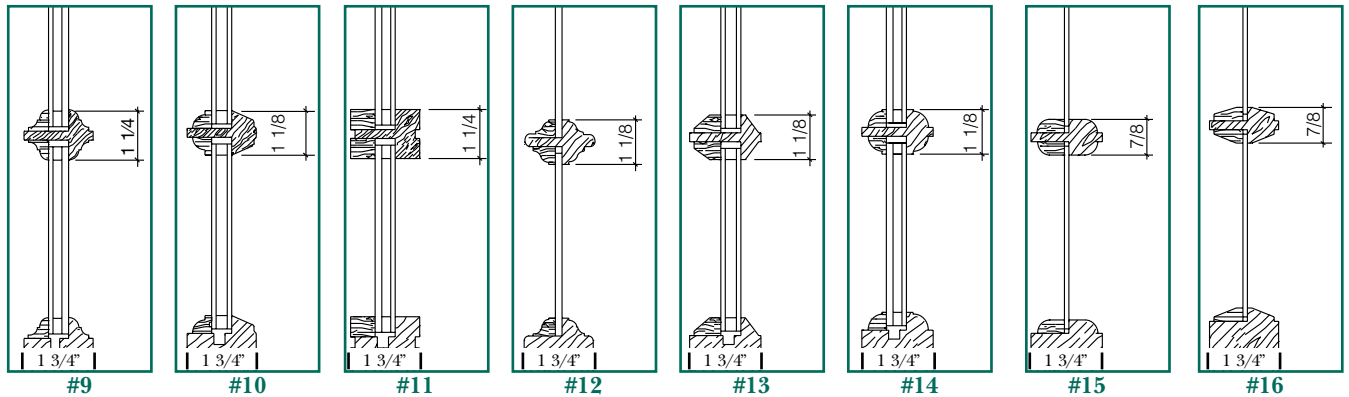
French doors... Single or coupled, they've got swing. That special style. Gracious, elegant but casual. The right touch of refinement for your design.



## MUNTIN BAR SELECTIONS

Muntin Bar Options

Custom Profiles are available



## HANDLES

Artistic's selection of Standard handle styles for casement and awning windows.



ATHINIA

LONDON

NEW ORLEANS

TORONTO

Luxembourg  
(Silver)

VERONA  
(POLISHED BRASS)

## Hurricane Rated Doors and Windows

At Artistic Doors and Windows, we realize the growing need for greater protection from the elements. We design our Hurricane Rated products to exceed the current standards so our customers are protected tomorrow as well.

All of our Hurricane products are manufactured with quality hardwoods (mahogany, teak, etc.) for high durability, year after year. In addition, double insulated glazing is standard, with options of Low 'E', Argon etc., for the best UV and energy efficiency available in the industry.

### Inswing Entry Doors (without Post)

max. size 7'0" x 10'0"

Design Pressure +/- 80psf

Configuration - All glass to panel ratios passed including French doors

Low Profile sill - 5/8" rise from int. finished floor

### Double Hung weight & chain window

Max sizes 52" x 101"

Design pressure +/- 90psf

### Double Outswing Casement (with jambs)

Max sizes 72" x 84"

Design pressure +/- 95psf

### Fixed sash window (with jambs)

Max sizes 34" x 128" and 55" x 105"

Design pressures +/- 70psf

QUALITY CRAFTSMANSHIP & DESIGN



10 S. Inman Avenue  
Avenel, New Jersey 07001  
888-WINDOW-3 (888-946-3693)  
Fax: 732-726-9494

<http://www.artisticdoorsandwindows.com>  
e-mail: [info@artisticdoorsandwindows.com](mailto:info@artisticdoorsandwindows.com)